

TUBES WITH SEAL END CLOSURES
Full Panel Top Closure
Full Panel Bottom Closure

**FULL OVERLAP
SEAL END
(FOSE)**

The full overlap seal end (FOSE) is typically erected, filled and closed on automatic horizontal or vertical packaging equipment. The normal closing sequence is: Dust flaps in first, inner closure panels (off the rear panel) down next, and outer closure panels (off the front panel) down last (Figure 2). The sift resistant characteristics of the FOSE may be enhanced by making minor changes to the design and folding sequence of the end closure and flaps. Refer to pages 7.301, 7.302 and 7.303 for details.

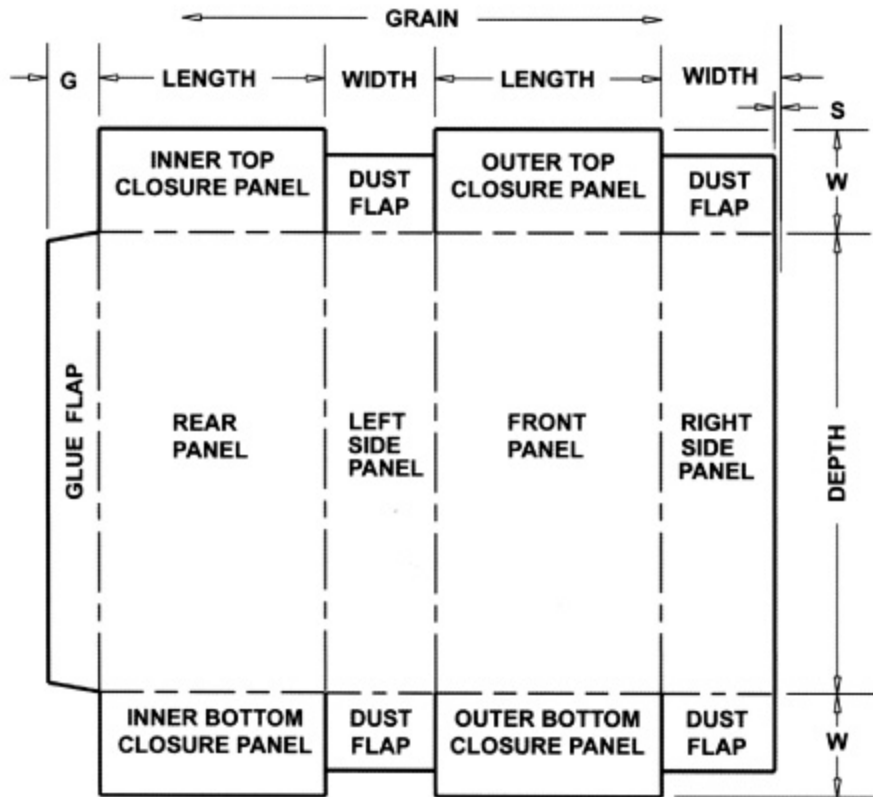


Figure 1

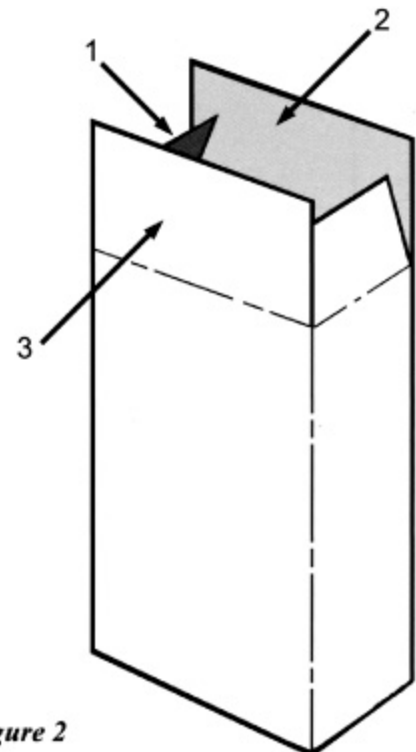


Figure 2